

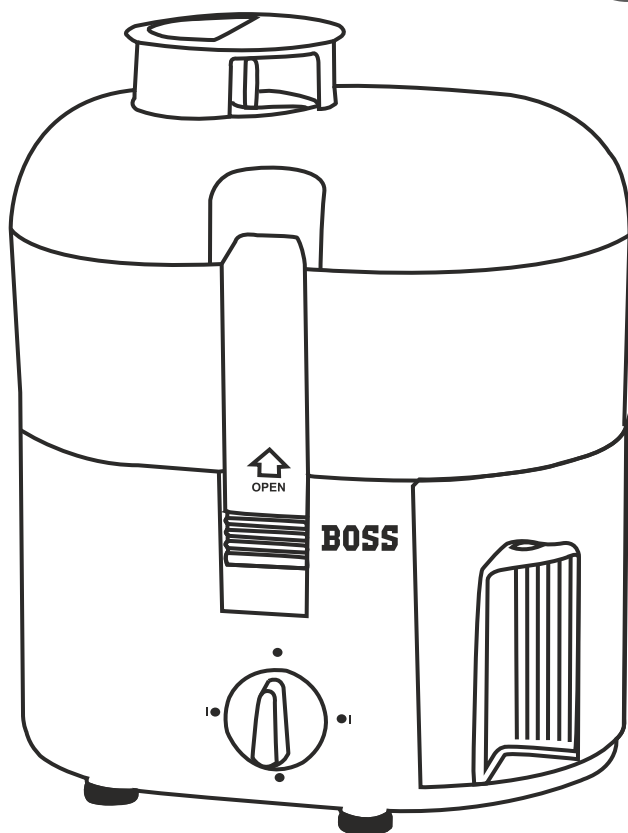
# BOSS®

## Delight

JUICE EXTRACTOR

B-616

**350**  
**WATT**



**2** YEARS  
WARRANTY  
ON MOTOR

**6** MONTHS  
EXTENDED  
WARRANTY  
ON REGISTRATION

## INSTRUCTION MANUAL

Please read all instructions carefully before using\*

Dear Customer,

Thank you for choosing BOSS Delight Juice Extractor, of which you are now the proud owner.

Drink fresh juices every day with the BOSS Delight Juice Extractor and to stay on top of your health. Known for its Power-Packed Performance and easy usage, this appliance is driven by a sturdy motor that gives a splendid performance with low energy consumption. The BOSS Juice Extractor also features a pulp collector, which allows you to keep the pulp separate. Treat yourself with the delight of a healthy homemade juice every day.

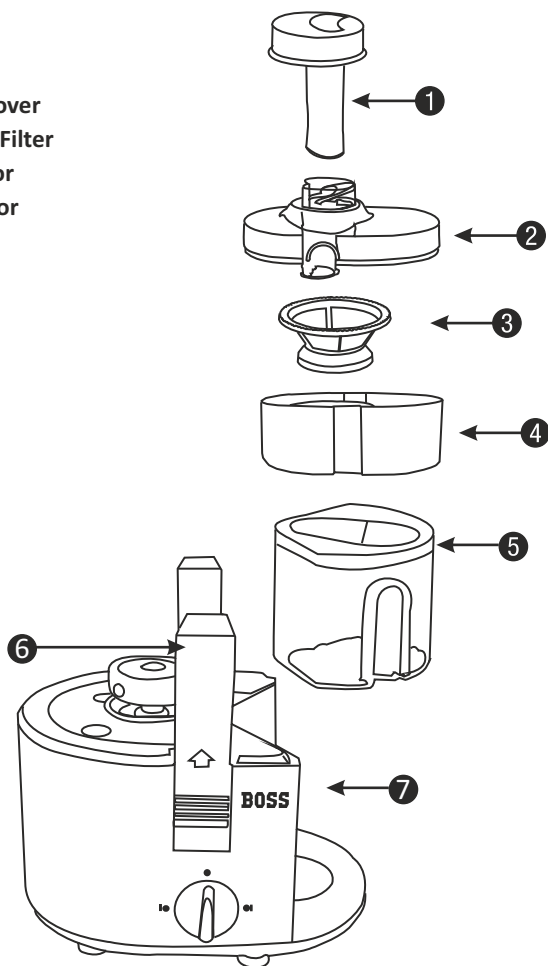
Please read and follow all the instructions given in this user manual carefully, prior to using your BOSS Delight Juice Extractor, to get the best result and trouble free operation.

With Best Wishes,

BOSS APPLIANCES LLP

## KNOW YOUR APPLIANCE

1. Pusher
2. Protective Cover
3. S. S. Grating Filter
4. Pulp Collector
5. Juice Collector
6. Handle
7. Main Unit



## TECHNICAL SPECIFICATIONS

Model No	B-616
Power Consumption	350W   230V AC   50 Hz
Rated Continuous Working Time	5 mint on 2 min off
Insulation	Class B

The specifications and design are subject to change without notice\*

## IMPORTANT

- This appliance is not intended for use by persons (including children) with reduced physical, sensory or mental capabilities, or lack of experience and knowledge, unless they have been given supervision or instruction concerning use of the appliance by a person responsible for their safety.
- Before using, put this machine on a stable and even table board, operate according to the methods described in this user manual.
- Before juicing, ensure that the S. S. grating filter and coupler are clutched in position, and there is no hard contact between S. S. grating filter cutter and Protective cover. Put the protective cover on, fasten tight the handle, and then turn on the machine.
- Before being used, the motor works in running-in phase, there may be slight peculiar smell and spark, this is normal, after the motor works for some period, the above phenomenon will disappear.
- During juicing, make sure that it is not full with juice and residue in the middle seat and residue cup, if too full, please cut off power supply, clean up, then use again.
- While operating, do not open the protective cover. In case power supply is on, do not put hand or any ware into the mixing cup or feed port to avoid any hazards or damage to the machine.
- Do not pour the food out until the plug is pulled out of the power supply.
- In order to avoid any danger, when cleaning a cutter, please put the cutter under water tap for washing, do not wash it with hand.
- If the power supply cord is damaged, you must have it replaced by manufacturer, or the service centre authorized by the dealer in order to avoid a hazard.

## PREPARE TO USE

- This machine is set with safety unit, when the handle does not fasten the protective cover or the S. S. grating filter is not fastened, the motor cannot turn on, so as to ensure safety for the user.
- When disassembling or assembling the juicer, press the upper of feed port of the cover with your hand, and then force the handle to slide in or out of cover slot.
- When disassembling S. S. grating filter, first remove the protective cover and juice collector, and take up and rotate the S. S. grating filter will automatically.
- In order to avoid damage, before using, first check power supply for compliance with rated voltage.
- Clean all parts able to disassemble (refer to the section of "Cleaning").
- When assembling, please carefully read "Know your appliance".

## HOW TO USE YOUR JUICE EXTRACTOR

- Before using, ensure that the appliance is not connected to power supply and is in stop state to avoid any hazards.
- Before juicing, ensure S. S. grating filter and coupler are clutched in position, and there is no hard contact between S. S. grating filter cutter and protective cover. Put the protective cover on, put the handle into the cover slot, and then turn on the machine.
- Turn on power supply, switch on to let the machine run no-load for 5 sec. Put prepared vegetable or fruit into feed port of the juicer, press with the pusher, evenly, hard and slowly, juice of the vegetable or fruit can be found, original, fresh, and good for health.
- Note: when pressing food with the pusher, force shall be even or indirect, pressing force shall not be more than 1 kg, no too sudden force, otherwise, and juicing effect will be reduced.

## CLEANING

- This machine shall be often used, so as to keep the motor dry and clean.
- If not using for a long time, please store this machine at a dry and well-ventilated place so as to prevent the motor from being damped and going moldy.
- No washing the main machine. When cleaning, only wipe with wet cloth. Other Components may be washed directly with water, such as pusher, protective cover, pulp collector and juice collector.

# AUTHORISED DISTRIBUTION NETWORK

Sr. No.	Area	Phone No	Phone No.	Sr. No.	Area	Phone No	Phone No.
1	Ahmedabad	26581067/68/69/70	7575003767	29	Khamgaon	252461	9422324051
2	Akola	-	8483022436				9422180048
3	Amravati	-	9822270134	30	Kolkatta	22254396 22254452 39851932	9331062296
4	Amreli	2432260	9426910962	31	kota	2229134 / 2390696	9428416199
5	Anand	253992	9825274994	32	Kutch	231068	9328917265
6	Ankleshwar	253992	9825274994	33	Latur / Beed	246981	9823344855
7	Aurangabad	2332024	-	34	Mehsana	257656	9377144018 9377144020
8	Banaskantha	257656	9377144018 9377144020	35	Nadiad	253992	9825274994
9	Banglore	22876182	-	36	Nagpur	9422109188 / 9970362130	9823062577
10	Bharuch	253992	9825274994	37	Nanded	9561351020	
11	Bhavnagar	2432260	9426910962	38	Navsari	9374514339	
12	Bhilwara	224586	9414112586	39	Porbander	2565199	9428416199
13	Bhopal	2640194	9425374201	40	Raipur	2533284	9425510814
14	Chennai	25380384	-	41	Rajkot	2565199	9428416199
16	Delhi	23847057	9811206109	42	Rudrapur	246500	-
17	Goa	-	9423882057 9423882056	43	Sabarkantha	257656	9377144018 9377144020
18	Kalburgi Gulbarga	-	9741734070	44	Sambalpur	2400042	9338025787
19	Guwahati		9435144551	45	Sangli Kolhapur Ratnagiri	2313625	9325273014
20	Hubli	2284897	9845277503	46	Solapur / Pandharpur	2322959	8624819319
21	Hyderabad	24600195	9347020195	47	Surat		9374514339
22	Indore	2534689	9425063634	48	Surendranagar	231068	9328917265
23	Jaipur	2622483	9828568483 9828568484	49	Udaipur	2422075	9414156528
24	Jalgaon	2271351	9075050296	50	Vadodra	2415151	8758757502
25	Jalna	-	9823417094	51	Vapi / Valsad	-	9374514339
26	Jamnagar	2565199	9428416199				
27	Jodhpur	2435266	9414129574				
28	Junagadh	2565199	9428416199				

## BOSS APPLIANCES LLP

605, Vihan, Walbhatt Road, Goregaon (East), Mumbai - 400063. India